

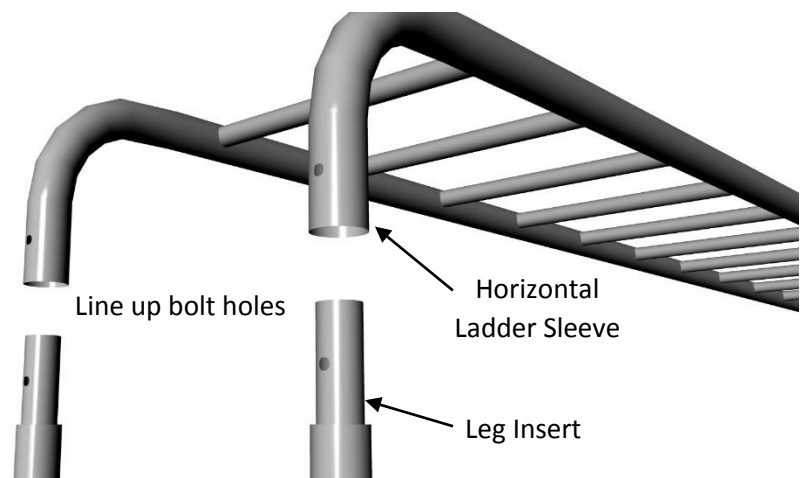


Installation Instructions Horizontal Ladder Climber Jr.

Ground Space: 2' x 14'
Residential
Play Space: 6' x 18'

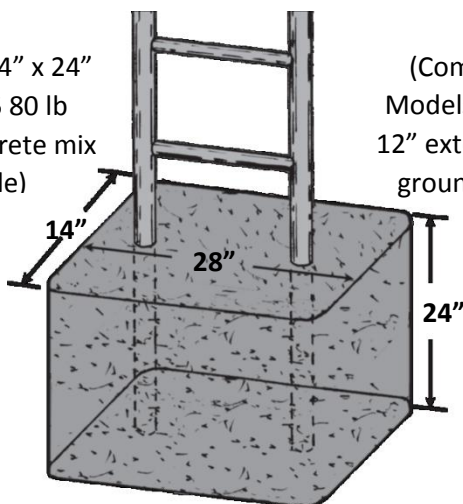
Ground Space: 2' x 14'
Commercial
Play Space: 14' x 26'

1. Place Horizontal Ladder on the ground in the area desired.
2. Dig the holes. See Diagram below.
3. Assemble the Climber on the ground on its side next to the holes where it will eventually stand by doing the following.
4. Insert the Horizontal Ladder into the sleeves (the holes on the top of the Climber should line up with the insert holes)
5. Stand the climber into the holes.
6. Level and plum your Horizontal Ladder Climber. Insert and tighten bolts securely as you level your Climber.
7. Pour Cement. Allow to cure for 3-5 days
8. Inspect and tighten bolt as needed.



Upright Ladders

Hole 28" x 14" x 24"
(Approx. 5 80 lb bags of concrete mix per hole)



(Commercial Models will have 12" extensions for ground cover.)



Hole size for cementing in the Climber